

D A T A S H E E T

450SL SLANT LINE COLLATOR



DESCRIPTION:

The 450SL Slant Line rotary collator represents the most economical collator. The ability to

Technical specifications subject to change.

FORM NUMBER 450SL - 05/03

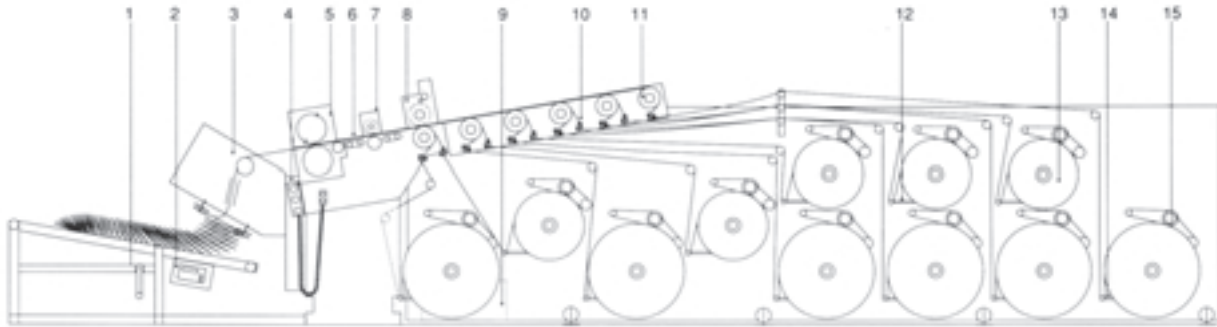
© Copyright 2000 Form Flo Equipment Manufacturers, Inc.

Form Flo 
Equipment Manufacturers

3154 N. 34th Dr. * Phoenix, AZ 85017

Phone: 602.272.3200 * FAX: 602.272.3509

450SL SLANT LINE COLLATOR



450SL Six Station Continuous Configuration

- | | |
|---|--|
| 1. Creeper Table Height Adjustment | 10. Glue Head (<i>optional</i>) |
| 2. Electrical Counter | 11. 17" Circumference Pin Drums |
| 3. Slide-A-Way Folder | 12. Pneumatic Carbon Spindles Braking |
| 4. Run/Stop/Jog Controls | 13. 18" Diameter Carbon Unwind Spindle |
| 5. Down Only/Cutoff Perf Head Position | 14. Pneumatic Paper Spindles Braking |
| 6. Pin Tractors (2 Sets) | 15. 24" Diameter Paper Unwind |
| 7. Crimp Lock Section | |
| 8. Variable Crash Numbering (<i>optional</i>) | |
| 9. 5 HP Main Drive Motor | |